

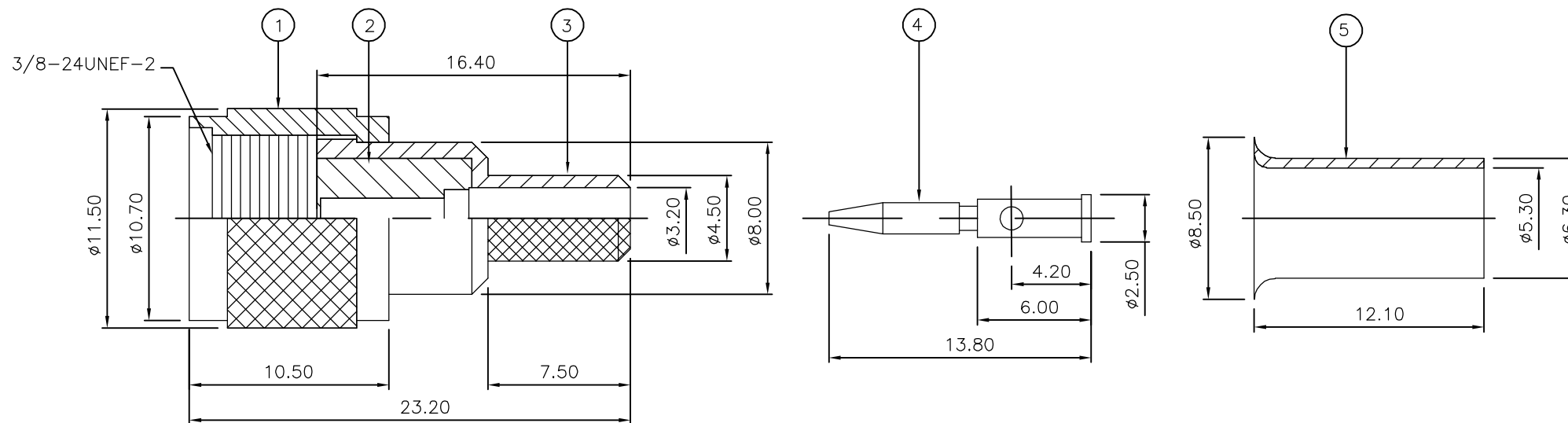
THIS DRAWING IS UNPUBLISHED. RELEASED FOR PUBLICATION AUGUST ,2006.

© COPYRIGHT 2006 BY TYCO ELECTRONICS CORPORATION. ALL RIGHTS RESERVED.

LOC	DIST	REVISIONS					
E	B	P	LTR	DESCRIPTION	DATE	DWN	APVD
		A		FIRST ISSUE	15AUG06	JMS	FWK

NOTES:

- 1 PACK IN ACCORDANCE WITH AMP SPEC 107-3275
- 2 100 TRAY PACK IN ACCORDANCE WITH AMP SPEC 107-3275
- 3 Au PLATING
- 4 Ni PLATING
- 5 HAND TOOL : 9-1478240-0
- 6 DIE SET : 9-1478242-0
- 7 ELECTRICAL CHARACTERISTICS  
 FREQUENCY RANGE: DC - 2 GHz  
 NOMINAL IMPEDANCE: 50 Ohm  
 INSULATION RESISTANCE: 5000 MOhm  
 WORKING VOLTAGE: 335 Volts RMS at Sea Level  
 CONTACT RESISTANCE:  
 CENTRE CONTACT: 2.50 mOhm Max  
 OUTER CONTACT: 0.20 mOhm Max  
 VSWR @ 2GHz: 1.25:1 Max  
 INSERTION LOSS dB @ x 2 GHz: 0.20 Max
- 8 MECHANICAL CHARACTERISTICS  
 COUPLING NUT RETENTION FORCE: 270N Min  
 CABLE RETENTION FORCE: 85N Min  
 DURABILITY: 50 Cycles Min
- 9 ENVIRONMENTAL CHARACTERISTICS  
 OPERATING TEMPERATURE: -65 to +85 DegC
- 10 FOR TECHNICAL DATA REFER TO YOUR LOCAL TYCO ELECTRONICS SALES OFFICE
- 11 ALL DIMENSIONS ARE NOMINAL FOR REFERENCE ONLY UNLESS OTHERWISE STATED



QTY	QTY	QTY	QTY	QTY	QTY	QTY	QTY	QTY	QTY
	1	1	BRASS	4	FERRULE	5			
	1	1	BRASS	4	CONTACT	4			
	1	1	ZINC	4	BODY	3			
	1	1	DELTRIN		INSULATION	2			
	1	1	ZINC	4	COUPLING NUT	1			
	5--1	5--0			MATERIAL	DESCRIPTION	ITEM		
	1	1							
QUANTITY PER ASSY					PARTS LIST				

THIS DRAWING IS A CONTROLLED DOCUMENT.		DWN	J.SANDWELL	15AUG06	Tyco Electronics Corporation Bideford EX39 4HE			
DIMENSIONS: mm		CHK	S.PARLOW	15AUG06				
TOLERANCES UNLESS OTHERWISE SPECIFIED:		APVD	F.WHEELER-KING	15AUG06	NAME			
0 PLC ± -		PRODUCT SPEC		MINI UHF MALE CRIMP PLUG				
1 PLC ± -		APPLICATION SPEC		RG58C/U, 141A/U, URM43, 76, KX15				
2 PLC ± -		WEIGHT		-				
3 PLC ± -		SIZE		CAGE CODE	DRAWING NO	RESTRICTED TO		
4 PLC ± -		MATERIAL		A3 00779		-		
ANGLES ± -		FINISH		C-1814818		-		
SEE TABLE		CUSTOMER DRAWING		SCALE	SHEET	OF	REV	
				NTS	1	1	A	